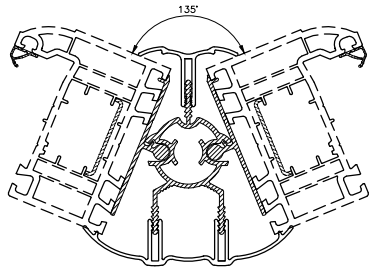


Bay and Angle Assemblies

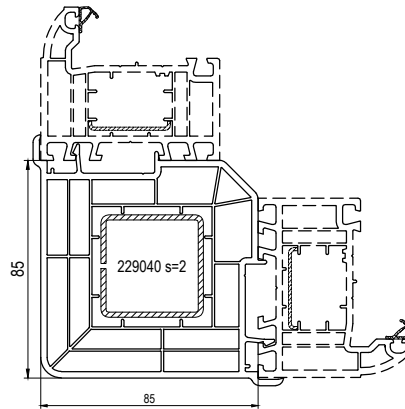


209041/209042/100270/100271

variable 120°-170°

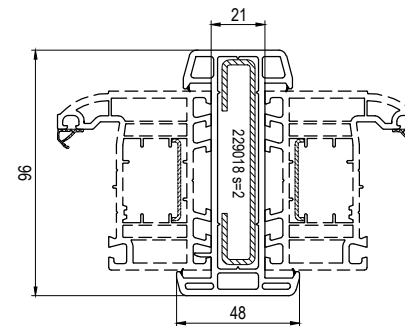
- 209041 - Variable Post (Aluminum)
- 209042 - Adapter (Aluminum)
- 100270 - Internal Cover (PVC)
- 100271 - External Cover (PVC)
- > 609040 - Jack

For load bearing solutions.



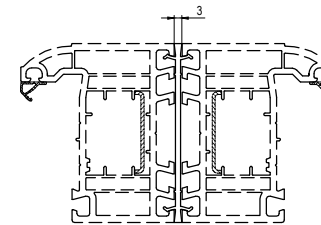
140248 90°

140248 - 90 Degrees Post (PVC)
For non-load bearing solutions



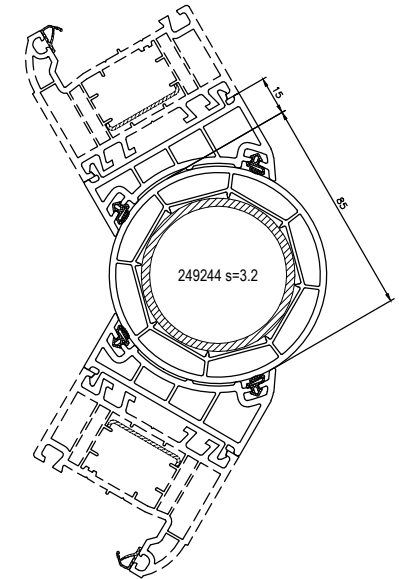
140218 180°

140218 - In line structural coupler (PVC)



140203 180°

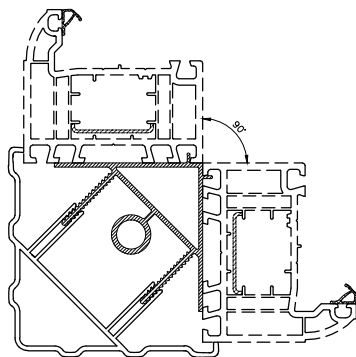
140203 - In line coupler (PVC)
Available in white only



140243/140244 variable 90°-180°

- 140244 - Bay post (PVC)
- 140243 - Bay post adapter (PVC)
- 44x340 - Bay post seal

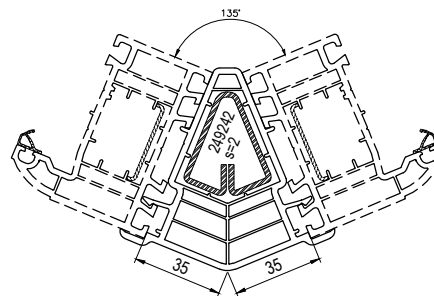
For non-load bearing solutions.



209043/100223 90°

- 209043 - 90 Degree Post (Aluminum)
- 100270 - External 90 Degrees Cover (PVC)
- > 609040 - Jack

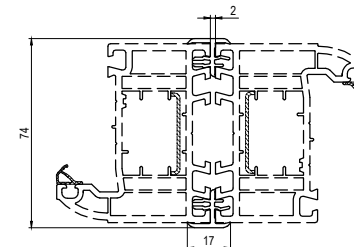
For load bearing solutions



140249 135°

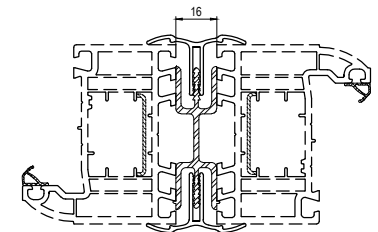
140249 - 135 Degrees Post (PVC)
Available in white only

For non-load bearing solutions



120236 180°

2x 120236 - In line coupler (PVC)



209044/100270 180°

- 209043 - In line Coupler (Aluminum)
- 2x 100270 - Internal Cover (PVC)

For non-load bearing solutions.